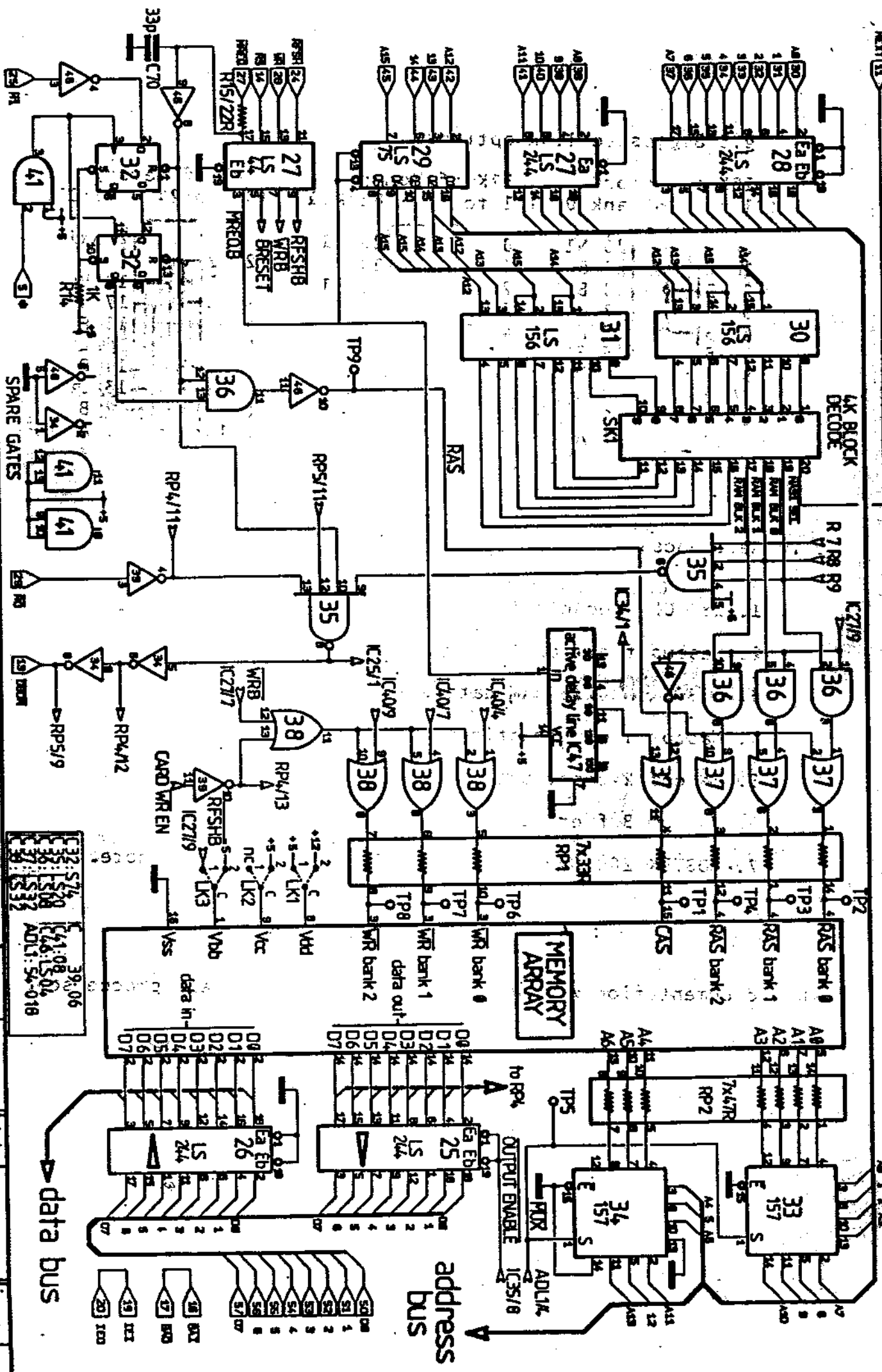


FIG. 10 Memory control logic

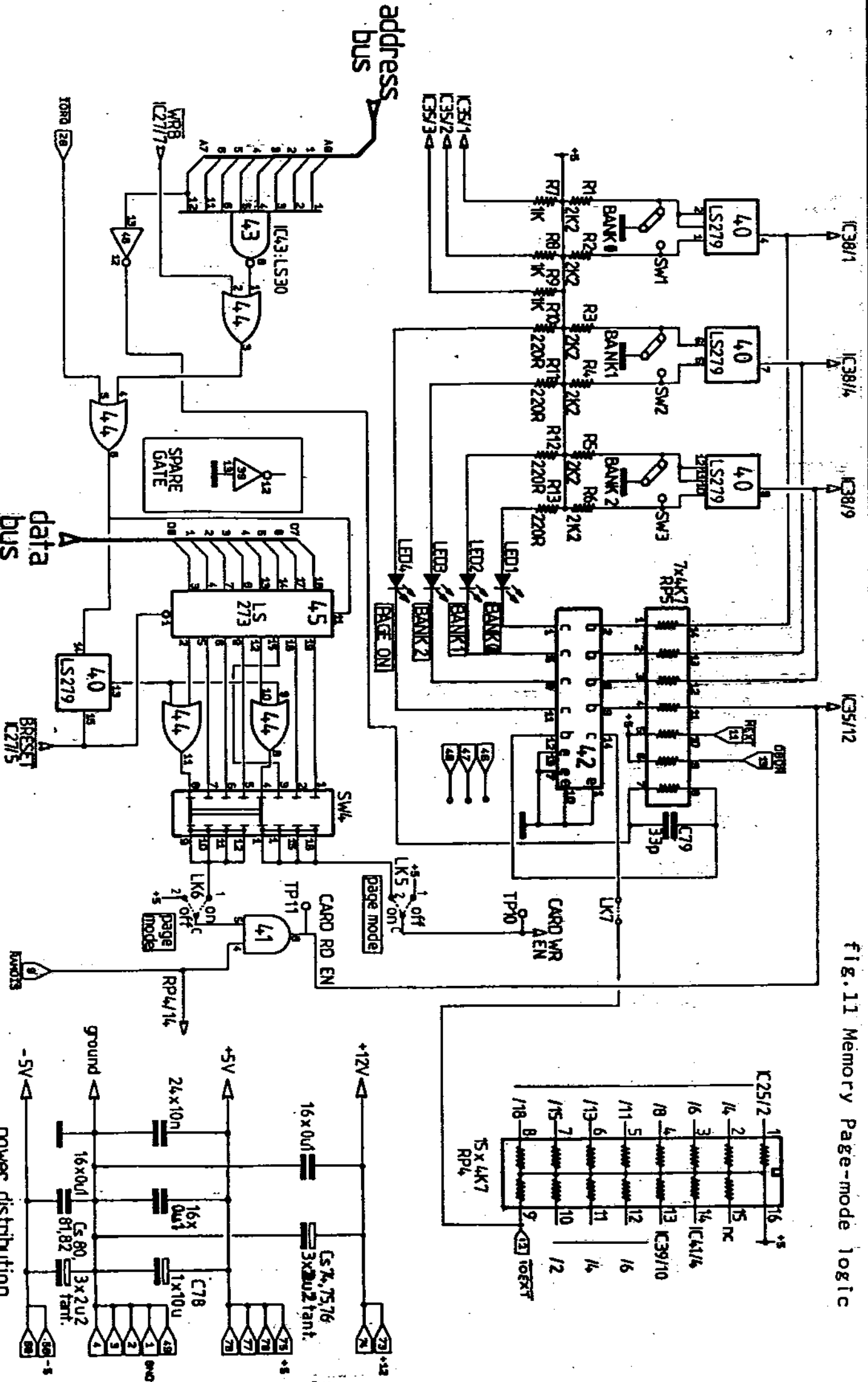


NASCOM microcomputers Ltd.  
92 Broad Street, Chesham, Bucks.

type (b) RAM board [11]

NM no.	024-400	date	22-04-80	issue
drawn		checked		

Fig. 11 Memory Page-mode logic



NASCOM microcomputers Ltd.  
 92 Broad Street, Chesham, Bucks.

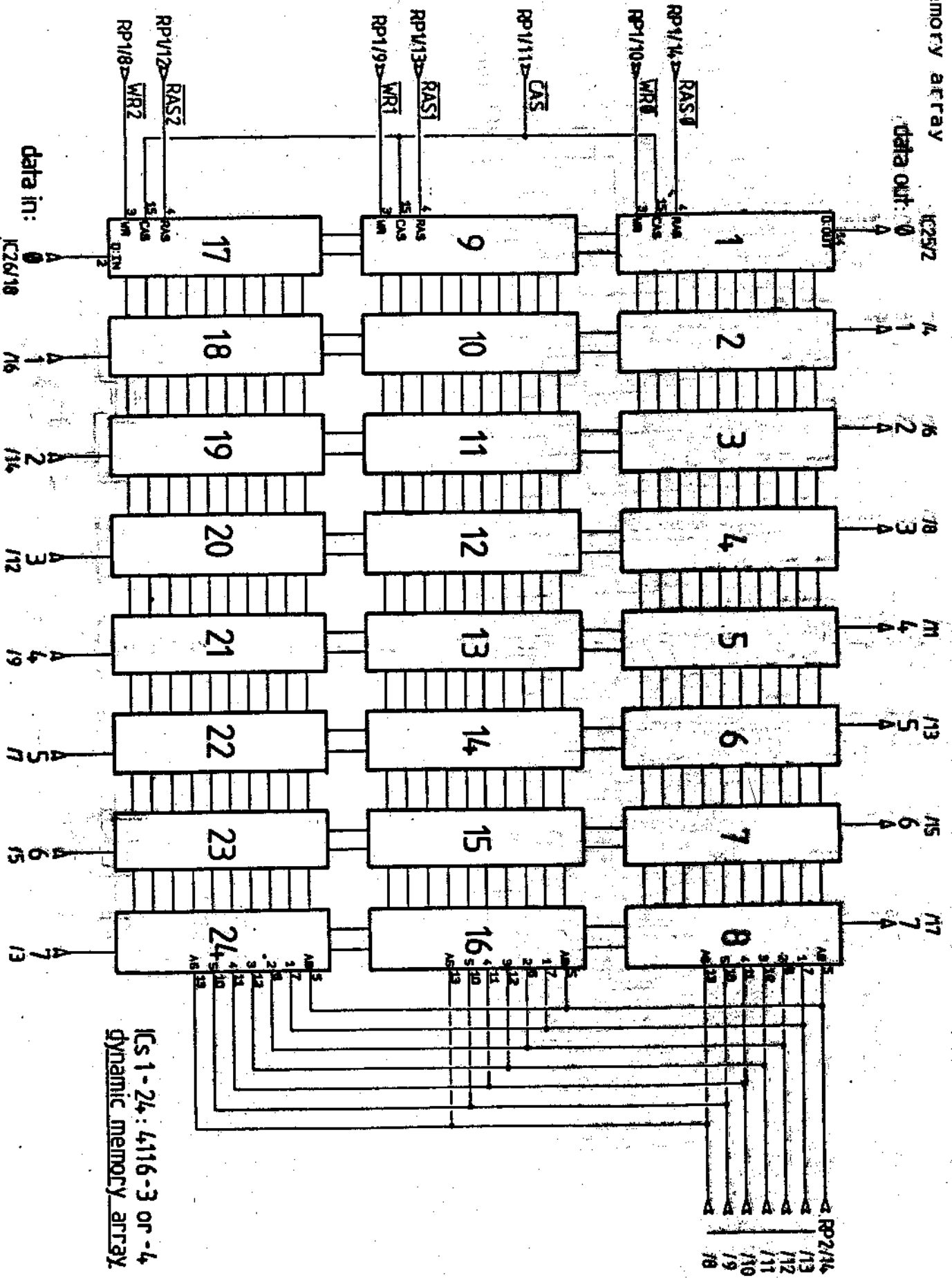
type (b) RAM board [2]

drawn	NM no.	024-401	date	22-04-80	issue
<i>dlr</i>					

checked *NS*

# 2

fig. 12 Memory array



ICs 1-24: 4116-3 or -4  
dynamic memory array